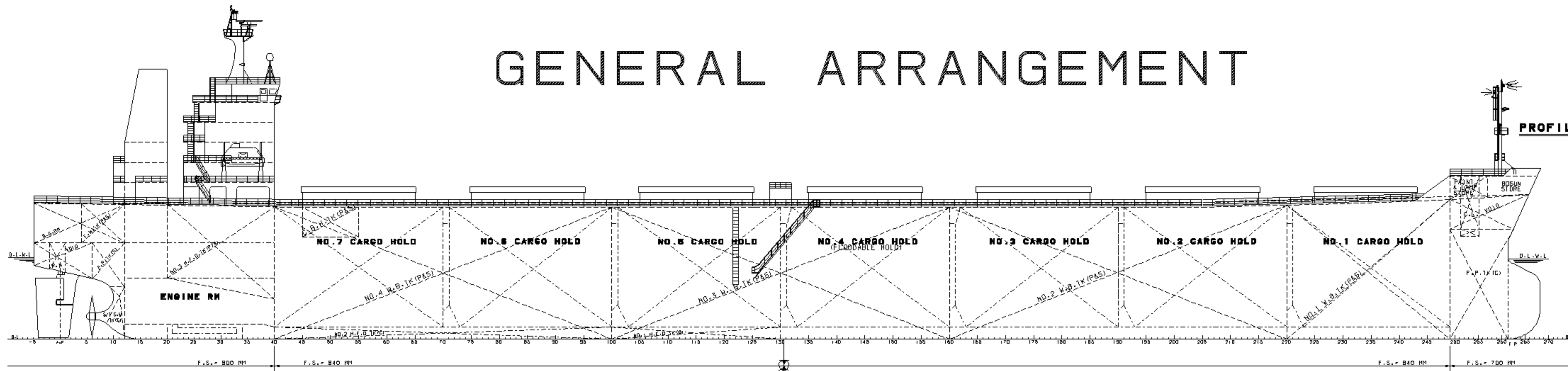
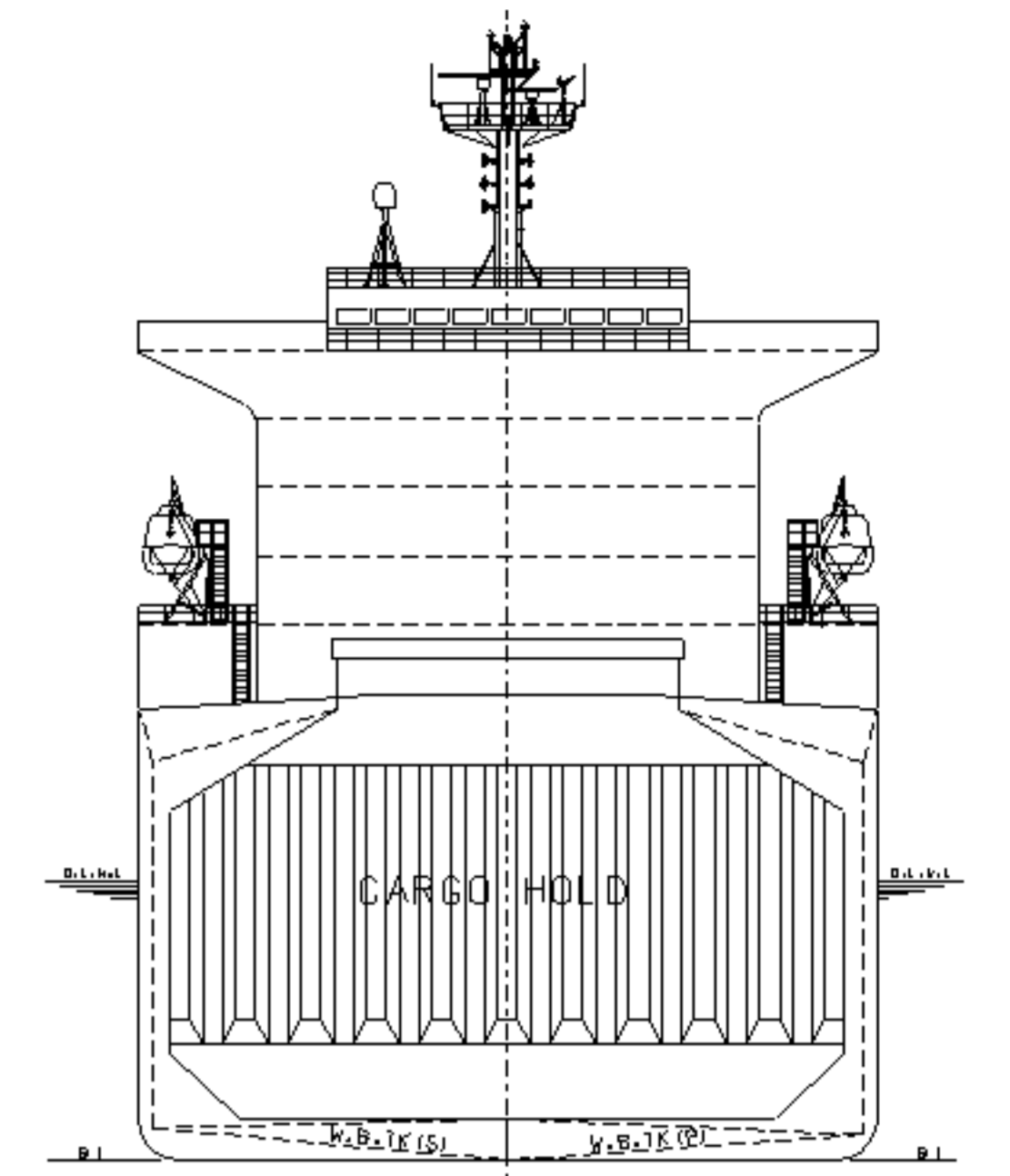


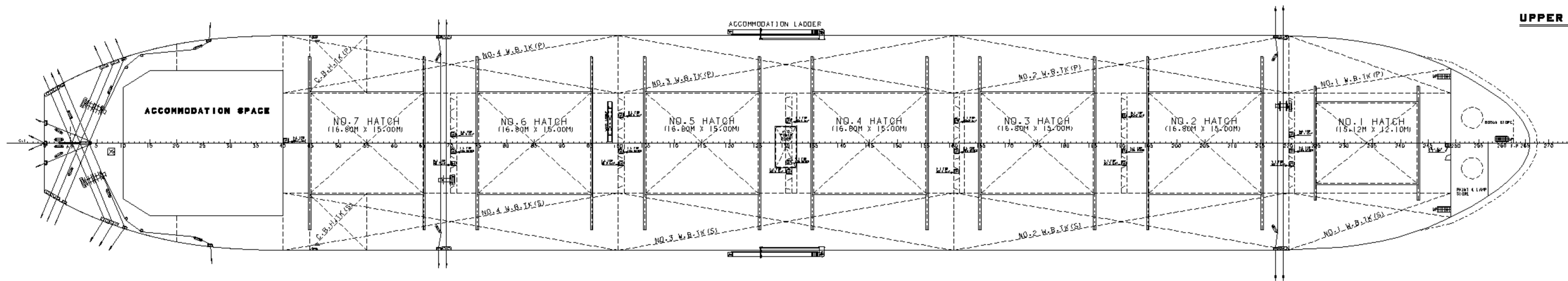
GENERAL ARRANGEMENT



PROFILE

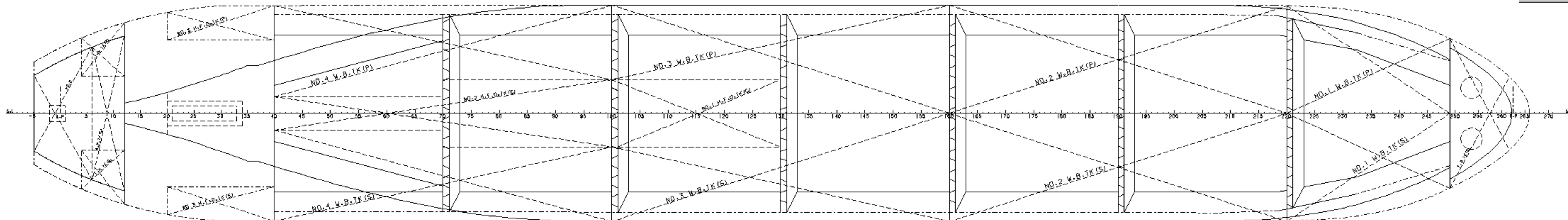
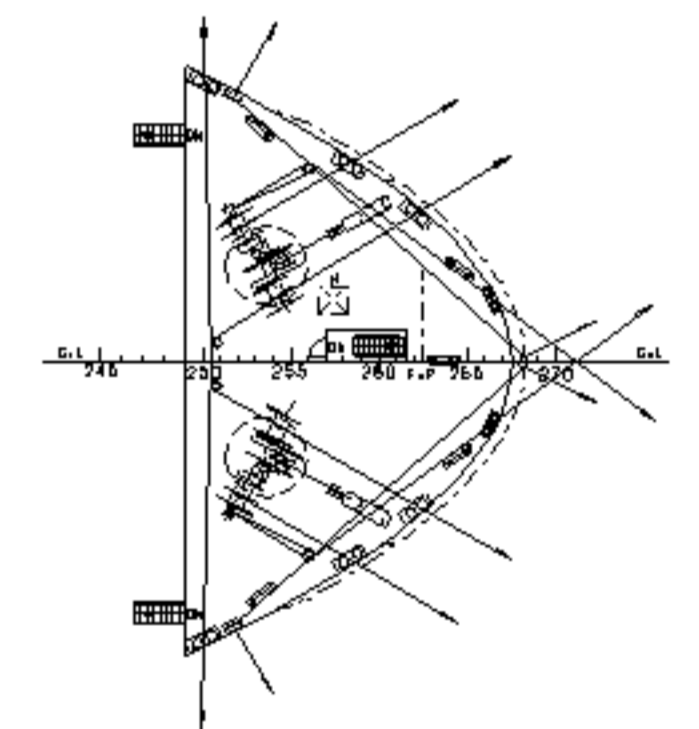


MIDSHIP SECTION



UPPER DECK

F'CLE DECK



TANK TOP

PRINCIPAL PARTICULARS

LENGTH O.A	APPX. 225.00 M
LENGTH B.P	216.20 M
BREADTH (MLD.)	32.24 M
DEPTH (MLD.)	19.70 M
DRAFT Design (MLD.)	12.20 M
DRAFT Scantling (MLD.)	14.20 M

For end on behalf of the BUYER For end on behalf of the BUILDER

By Marin Matena Title: Technical Superintendent
 By S. H. Shin Title: Senior Vice President
 ATLANTSKA PLOVIDBA d.d. STX SHIPBUILDING CO.,LTD.

STX	HULL NO.	S-1211/1212
	TYPE	75,000 DWT DOUBLE HULL BULK CARRIER
MANAGER:	TITLE	
CHECKED:	GENERAL ARRANGEMENT	
DRAWN:		
TEL. NO. 055) 548-1202	SCALE 1/300	DATE 2004-03-12
DEPT SHIP SALES ENGINEERING TEAM	DWG. NO. 758CGA01-040260	REV. NO. 1
STX Shipbuilding Co., Ltd.		